

## Overview

Tile/1 Port Ethernet Wall Plate (See Figure 1) enables the device to be connected to the network.

Product Name	Components	Model No.
Tile/1 Port Ethernet Wall Plate	Panel	HDL-MP1-W-ETH/TILE.48
	Frame	HDL-MP1-EC/TILE.48

### Datasheet

Issued: May 12, 2021

File Edition: V1.0.1



Figure 1. Tile/1 Port Ethernet Wall Plate

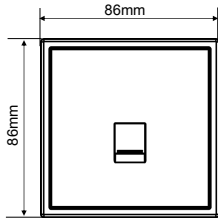


Figure 2. Dimensions-Front view

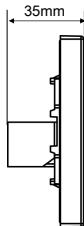


Figure 3. Dimensions-Side view

## Functions

- Enables the device to be connected to network

## Important Notes

- The panel should be installed in wall box.
- Please ensure correct wiring.

## Product Information

Dimensions - See Figure 2 - 3

## Safety Precautions

- The device should be wall box mounted. HDL will not be responsible for any consequence caused by the inexpert or faulty installation and wiring methods, which are not in accordance with the instructions contained in this operating instruction.
- Please do not privately disassemble or replace any parts of the product. Otherwise, it may cause mechanical fault, electric shock, fire or personal injuries.
- Please contact our after-sales departments or our designated service agencies for your maintenance service. Product failures caused by private disassembly are not subject to this warranty.

## Package Contents

Panel\*1 / Short screw\*2 / Long screw\*2 / Datasheet\*1

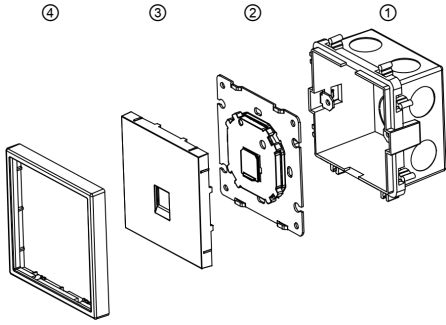


Figure 4. Installation



2 gang



3 gang



4 gang

Figure 5. Horizontal installation



2 gang



3 gang



4 gang

Figure 6. Vertical installation

Notes: Metal panels can be installed either horizontally or vertically. Plastic panels can be only installed horizontally.

Product Name	Frame Types	Gang	Dimensions
2/3/4-gang frames	Metal	2 gang	176*90*10.5(mm)
		3 gang	262*90*10.5(mm)
		4 gang	348*90*10.5(mm)
	Plastic	2 gang	172*86*10.5(mm)
		3 gang	258*86*10.5(mm)
		4 gang	344*86*10.5(mm)

## Technical Data

### Specifications

Dimensions	86×86×35(mm) (With plastic frame) 90×90×35(mm) (With metal frame)
Net weight	81g (With plastic frame)
Housing material	Flame retardant PC
Installation	Wall box (See Figure 4)
Interface	Supports CAT 5E (RJ45) connection

### Approved

CE

RoHS

## Installation

### Installation - See Figure 4

- Step 1. Install the wall box in the wall.
- Step 2. Secure the power interface into the wall box with screws.
- Step 3. Install the panel cover on the power interface.
- Step 4. Mount the frame around the socket.

### Horizontal installation - See Figure 5

### Vertical installation - See Figure 6

#### Technical support

E-mail: [hdtickets@hdlautomation.com](mailto:hdtickets@hdlautomation.com)

Website: <https://www.hdlautomation.com>

©Copyright by HDL Automation Co., Ltd. All rights reserved.  
Specifications subject to change without notice.